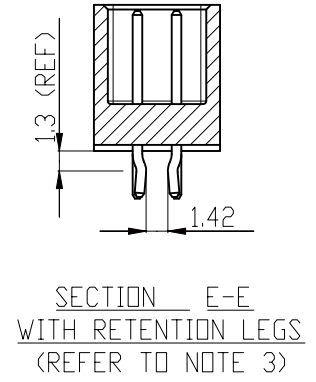
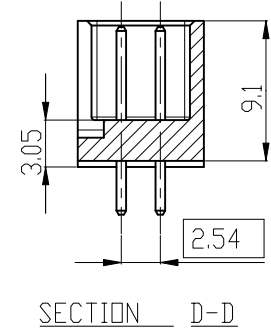
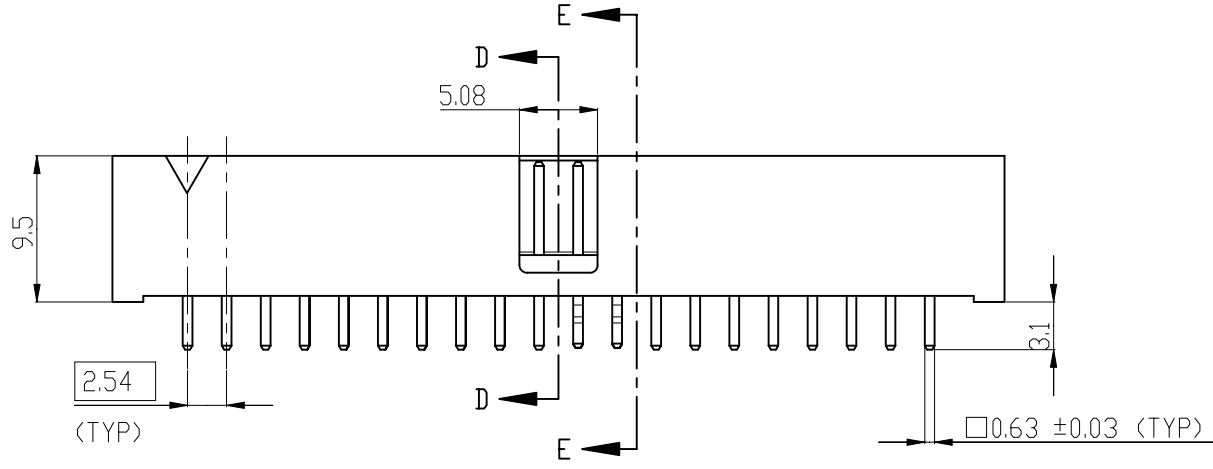
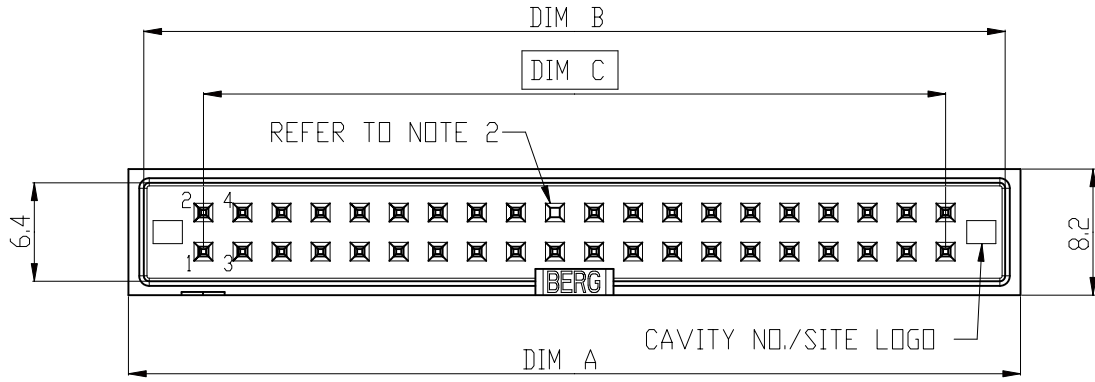


PRODUCT NO
SEE TABLE

| REV | DESCRIPTION | REV'D BY | DATE |
|-----|--------------|---------------|-----------|
| D | ECR S60323 | SPYKE | 06DEC1996 |
| E | ECR S70303 | SPYKE | 23OCT1997 |
| F | ECR S70354 | SPYKE | 15DEC1997 |
| G | ECR S80249 | SPYKE | 10NOV1998 |
| H | ECR N10128 | MING CHENG | 17JUL2001 |
| J | ECR N04-0037 | ZHENG CAI TAO | 12AUG2004 |
| K | ECR N05-0026 | ZHENG CAI TAO | 1FEB2005 |

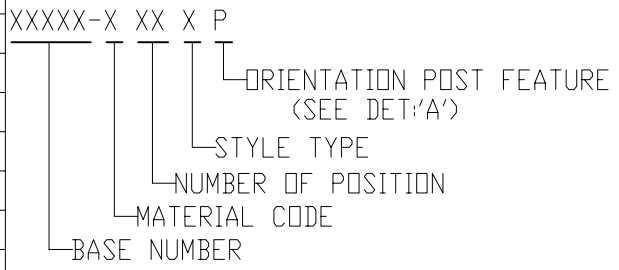


ALL RIGHT RESERVED. REPRODUCTION OR ISSUE TO THIRD PARTIES IN ANY FORM WHATEVER IS NOT PERMITTED WITHOUT WRITTEN AUTHORITY FROM THE PROPRIETOR. PROPERTY OF F C I. COPYRIGHT F C I.

| | | | | | |
|----------------------|-------------|-------|---|--------------|---------|
| CUSTOMER COPY | | | THIRD ANGLE PROJECTION | | |
| DO NOT SCALE DRAWING | | | DIMENSIONAL LIMITS APPLY AFTER PLATING (IF SPECIFIED) | | |
| GENERAL TOLERANCE | | | DESCRIPTION | | |
| MILLIMETER | INCH | ANGLE | DRAWN | NAME | DATE |
| X.X ±0.25 | .XX ±0.010 | ±3° | CHECKED | Zhengcai Tao | 1FEB 05 |
| X.XX ±0.13 | .XXX ±0.005 | | APPROVED | Jason Zhou | 1FEB 05 |
| X.XXX±0.05 | .XXX±0.002 | | | | |

| | | | | | |
|--|------|-------------|-----|--------|--|
| FCI | | | | | |
| QUICKIE STRIAIGHT 4-WALL SLIMLINE HEADER | | | | | |
| SCALE | SIZE | DRAWING NO. | REV | SHEET | |
| 2:1 | A4 | 69064 | K | 1 OF 3 | |

| PRODUCT NO | POSITION | RETENTIVE | POST OMISSION | DIMENSION 'A' | DIMENSION 'B' | DIMENSION 'C' | PIN PLAT'G |
|------------|----------|------------------|---------------|---------------|---------------|---------------|------------|
| 69064-X01 | 2 X 17 | NO | PIN 03 | 50.4 | 48.4 | 40.64 | 15 u"GXT |
| 69064-X02 | 2 X 17 | YES (SEE NOTE 3) | PIN 03 | 50.4 | 48.4 | 40.64 | 15 u"GXT |
| 69064-X03 | 2 X 20 | NO | PIN 20 | 58.0 | 56.0 | 48.26 | 15 u"GXT |
| 69064-X04 | 2 X 20 | YES (SEE NOTE 3) | PIN 20 | 58.0 | 56.0 | 48.26 | 15 u"GXT |
| 69064-X05 | 2 X 5 | NO | PIN 10 | 19.9 | 18.0 | 10.16 | 15 u"GXT |
| 69064-X06 | 2 X 5 | YES (SEE NOTE 3) | PIN 10 | 19.9 | 18.0 | 10.16 | 15 u"GXT |
| 69064-X07 | 2 X 10 | NO | PIN 20 | 32.6 | 30.7 | 22.86 | 15 u"GXT |
| 69064-X08 | 2 X 10 | YES (SEE NOTE 3) | PIN 20 | 32.6 | 30.7 | 22.86 | 15 u"GXT |
| 69064-X09 | 2 X 10 | NO | NO | 32.6 | 30.7 | 22.86 | 15 u"GXT |
| 69064-X10 | 2 X 8 | NO | PIN 16 | 27.5 | 25.5 | 17.78 | 15 u"GXT |
| 69064-X11 | 2 X 8 | YES (SEE NOTE 3) | PIN 16 | 27.5 | 25.5 | 17.78 | 15 u"GXT |
| 69064-X12 | 2 X 10 | YES (SEE NOTE 3) | PIN 14 | 32.6 | 30.7 | 22.86 | 15 u"GXT |
| 69064-X13 | 2 X 17 | YES (SEE NOTE 3) | NO | 50.4 | 48.4 | 40.64 | 15 u"GXT |
| 69064-X14 | 2 X 17 | YES (SEE NOTE 3) | PIN 20 | 50.4 | 48.4 | 40.64 | 15 u"GXT |
| 69064-X15 | 2 X 25 | NO | NO | 70.8 | 68.8 | 60.96 | 15 u"GXT |
| 69064-X16 | 2 X 25 | YES (SEE NOTE 3) | NO | 70.8 | 68.8 | 60.96 | 15 u"GXT |
| 69064-X17 | 2 X 25 | NO | PIN 25 | 70.8 | 68.8 | 60.96 | 15 u"GXT |
| 69064-X18 | 2 X 17 | NO | PIN 05 | 50.4 | 48.4 | 40.64 | 15 u"GXT |
| 69064-X19 | 2 X 17 | YES (SEE NOTE 3) | PIN 05 | 50.4 | 48.4 | 40.64 | 15 u"GXT |
| 69064-X20 | 2 X 5 | YES (SEE NOTE 3) | NO | 19.9 | 18.0 | 10.16 | 15 u"GXT |
| 69064-X21 | 2 X 8 | YES (SEE NOTE 3) | NO | 27.5 | 25.5 | 17.78 | 15 u"GXT |
| 69064-X22 | 2 X 20 | NO | PIN 25,27 &28 | 58.0 | 56.0 | 48.26 | 15 u"GXT |
| 69064-X23 | 2 X 20 | NO | PIN 20 | 58.0 | 56.0 | 48.26 | 4 u"GOLD |
| 69064-X24 | 2 X 17 | NO | PIN 05 | 50.4 | 48.4 | 40.64 | 4 u"GOLD |



NOTES:

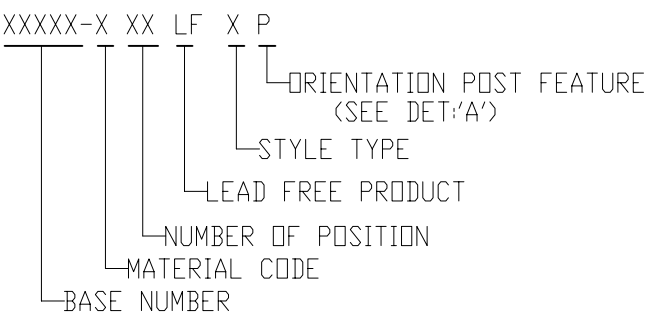
- HOUSING MATERIAL: REFER TO TABLE AS PER UL 94V-0
TERMINAL MATERIAL: COPPER ALLOY
PLATING SPEC.: REFER TO TABLE
50u" MIN. NICKEL UNDER PLATE.
- ELIMINATION OF PIN OPTION REFER TO TABLE FOR PIN POLARIZATION.
- TWO PAIRS OF RETENTIVE LEGS WILL BE KINKED AT TAIL END APPROXIMATELY AT CENTER OF PRODUCT.

| PLASTIC MATERIAL: | | | |
|-------------------|------|-------|-----------------------|
| CODE | TYPE | COLOR | REMARKS |
| -0XX | PBT | BLACK | |
| -1XX | PCT | BLACK | |
| -2XX | PA46 | BLACK | FOR LEAD FREE PROCESS |

| | | | | | | | | | | | | | | | | | | | |
|--|-------------|-------|---|------|---|-----------|------------|-----|------------|-------------|------------|-------------|--|--|-------|------|-------------|-----|-------|
| CUSTOMER COPY | | | THIRD ANGLE PROJECTION | | FCI | | | | | | | | | | | | | | |
| DO NOT SCALE DRAWING | | | DIMENSIONAL LIMITS APPLY AFTER PLATING (IF SPECIFIED) | | DESCRIPTION | | | | | | | | | | | | | | |
| GENERAL TOLERANCE | | | | | QUICKIE STRAIGHT 4-WALL SLIMLINE HEADER | | | | | | | | | | | | | | |
| | | | | | NAME | | DATE | | | | | | | | | | | | |
| | | | | | DRAWN Zhengcai Tao | | 1 FEB 05 | | | | | | | | | | | | |
| | | | | | CHECKED Zhengcai Tao | | 1 FEB 05 | | | | | | | | | | | | |
| | | | | | APPROVED Jason Zhou | | 1 FEB 05 | | | | | | | | | | | | |
| <table border="1"> <tr> <td>MILLIMETER</td> <td>INCH</td> <td>ANGLE</td> </tr> <tr> <td>X.X ±0.25</td> <td>.XX ±0.010</td> <td rowspan="3">±3°</td> </tr> <tr> <td>X.XX ±0.13</td> <td>.XXX ±0.005</td> </tr> <tr> <td>X.XXX±0.05</td> <td>.XXXX±0.002</td> </tr> </table> | | | MILLIMETER | INCH | ANGLE | X.X ±0.25 | .XX ±0.010 | ±3° | X.XX ±0.13 | .XXX ±0.005 | X.XXX±0.05 | .XXXX±0.002 | | | SCALE | SIZE | DRAWING NO. | REV | SHEET |
| MILLIMETER | INCH | ANGLE | | | | | | | | | | | | | | | | | |
| X.X ±0.25 | .XX ±0.010 | ±3° | | | | | | | | | | | | | | | | | |
| X.XX ±0.13 | .XXX ±0.005 | | | | | | | | | | | | | | | | | | |
| X.XXX±0.05 | .XXXX±0.002 | | | | | | | | | | | | | | | | | | |
| | | | | | 2:1 | A4 | 69064 | K | 2 of 3 | | | | | | | | | | |

ALL RIGHT RESERVED. REPRODUCTION OR ISSUE TO THIRD PARTIES IN ANY FORM WHATEVER IS NOT PERMITTED WITHOUT WRITTEN AUTHORITY FROM THE PROPRIETOR. PROPERTY OF F C I. COPYRIGHT F C I.

| PRODUCT NO | POSITION | RETENTIVE | POST OMISSION | DIMENSION 'A' | DIMENSION 'B' | DIMENSION 'C' | PIN PLAT'G |
|--------------|----------|------------------|---------------|---------------|---------------|---------------|------------|
| 69064-201LF | 2 X 17 | NO | PIN 03 | 50.4 | 48.4 | 40.64 | 15 u"GXT |
| 69064-202LF | 2 X 17 | YES (SEE NOTE 3) | PIN 03 | 50.4 | 48.4 | 40.64 | 15 u"GXT |
| 69064-203LF | 2 X 20 | NO | PIN 20 | 58.0 | 56.0 | 48.26 | 15 u"GXT |
| 69064-204LF | 2 X 20 | YES (SEE NOTE 3) | PIN 20 | 58.0 | 56.0 | 48.26 | 15 u"GXT |
| 69064-205LF | 2 X 5 | NO | PIN 10 | 19.9 | 18.0 | 10.16 | 15 u"GXT |
| 69064-206LF | 2 X 5 | YES (SEE NOTE 3) | PIN 10 | 19.9 | 18.0 | 10.16 | 15 u"GXT |
| 69064-207LF | 2 X 10 | NO | PIN 20 | 32.6 | 30.7 | 22.86 | 15 u"GXT |
| 69064-208LF | 2 X 10 | YES (SEE NOTE 3) | PIN 20 | 32.6 | 30.7 | 22.86 | 15 u"GXT |
| 69064-209LF | 2 X 10 | NO | NO | 32.6 | 30.7 | 22.86 | 15 u"GXT |
| 69064-210LF | 2 X 8 | NO | PIN 16 | 27.5 | 25.5 | 17.78 | 15 u"GXT |
| 69064-211LF | 2 X 8 | YES (SEE NOTE 3) | PIN 16 | 27.5 | 25.5 | 17.78 | 15 u"GXT |
| 69064-212LF | 2 X 10 | YES (SEE NOTE 3) | PIN 14 | 32.6 | 30.7 | 22.86 | 15 u"GXT |
| 69064-213LF | 2 X 17 | YES (SEE NOTE 3) | NO | 50.4 | 48.4 | 40.64 | 15 u"GXT |
| 69064-214LF | 2 X 17 | YES (SEE NOTE 3) | PIN 20 | 50.4 | 48.4 | 40.64 | 15 u"GXT |
| 69064-215LF | 2 X 25 | NO | NO | 70.8 | 68.8 | 60.96 | 15 u"GXT |
| 69064-216LF | 2 X 25 | YES (SEE NOTE 3) | NO | 70.8 | 68.8 | 60.96 | 15 u"GXT |
| 69064-217LF | 2 X 25 | NO | PIN 25 | 70.8 | 68.8 | 60.96 | 15 u"GXT |
| 69064-218-LF | 2 X 17 | NO | PIN 05 | 50.4 | 48.4 | 40.64 | 15 u"GXT |
| 69064-219LF | 2 X 17 | YES (SEE NOTE 3) | PIN 05 | 50.4 | 48.4 | 40.64 | 15 u"GXT |
| 69064-220LF | 2 X 5 | YES (SEE NOTE 3) | NO | 19.9 | 18.0 | 10.16 | 15 u"GXT |
| 69064-221LF | 2 X 8 | YES (SEE NOTE 3) | NO | 27.5 | 25.5 | 17.78 | 15 u"GXT |
| 69064-222LF | 2 X 20 | NO | PIN 25,27 &28 | 58.0 | 56.0 | 48.26 | 15 u"GXT |
| 69064-223LF | 2 X 20 | NO | PIN 20 | 58.0 | 56.0 | 48.26 | 4 u"GOLD |
| 69064-224LF | 2 X 17 | NO | PIN 05 | 50.4 | 48.4 | 40.64 | 4 u"GOLD |



- NOTES:
- HOUSING MATERIAL: REFER TO TABLE AS PER UL 94V-0
TERMINAL MATERIAL: COPPER ALLOY
PLATING SPEC.: REFER TO TABLE
50u" MIN. NICKEL UNDER PLATE.
 - ELIMINATION OF PIN OPTION REFER TO TABLE FOR PIN POLARIZATION.
 - TWO PAIRS OF RETENTIVE LEGS WILL BE KINKED AT TAIL END APPROXIMATELY AT CENTER OF PRODUCT.

| PLASTIC MATERIAL: | | | |
|-------------------|------|-------|-----------------------|
| CODE | TYPE | COLOR | REMARKS |
| -0XX | PBT | BLACK | |
| -1XX | PCT | BLACK | |
| -2XX | PA46 | BLACK | FOR LEAD FREE PROCESS |

| | | | | | | | |
|----------------------|-------------|------------------------|----------|--------------|-------------|---|-------|
| CUSTOMER COPY | | THIRD ANGLE PROJECTION | | | | | |
| | | | | | | | |
| DO NOT SCALE DRAWING | | | | DRAWN | | DATE | |
| GENERAL TOLERANCE | | | | NAME | | DATE | |
| MILLIMETER | INCH | ANGLE | | | | | |
| X.X ±0.25 | .XX ±0.010 | ±3° | CHECKED | Zhengcai Tao | 1 FEB 05 | SCALE | SIZE |
| X.XX ±0.13 | .XXX ±0.005 | | APPROVED | Jason Zhou | 1 FEB 05 | 2:1 | A4 |
| X.XXX±0.05 | .XXXX±0.008 | | | | DRAWING NO. | REV | SHEET |
| | | | | | | DESCRIPTION | |
| | | | | | | QUICKIE STRAIGHT 4-WALL SLIMLINE HEADER | |
| | | | | | | 69064 | |
| | | | | | | K 3 OF 3 | |

ALL RIGHT RESERVED. REPRODUCTION OR ISSUE TO THIRD PARTIES IN ANY FORM WHATEVER IS NOT PERMITTED WITHOUT WRITTEN AUTHORITY FROM THE PROPRIETOR. PROPERTY OF F C I. COPYRIGHT F C I.